

250A, 24kV Class Interface A Equipment Bushing



APPLICATION

The Chardon 24kV Interface A equipment bushing meets the full requirement of EN 50180, EN 50181&IEC 60137, provides a sliding interface made of quality epoxy. The

part is used in equipment insulated with oil fluid, such as transformers, switchgears and capacitors. It equipped with 6 tabs for the bail restraint.

PRODUCTION TESTS

Tests conducted in accordance with IEC 60137

- Minimum Corona Voltage Level - 20.8 kV
- AC 5 Minute Withstand - 55 kV

Tests conducted in accordance with Chardon manufacturing process requirements:

- Physical Inspection
- Periodic Dissection
- Periodic X-ray Analysis

VOLTAGE RATINGS

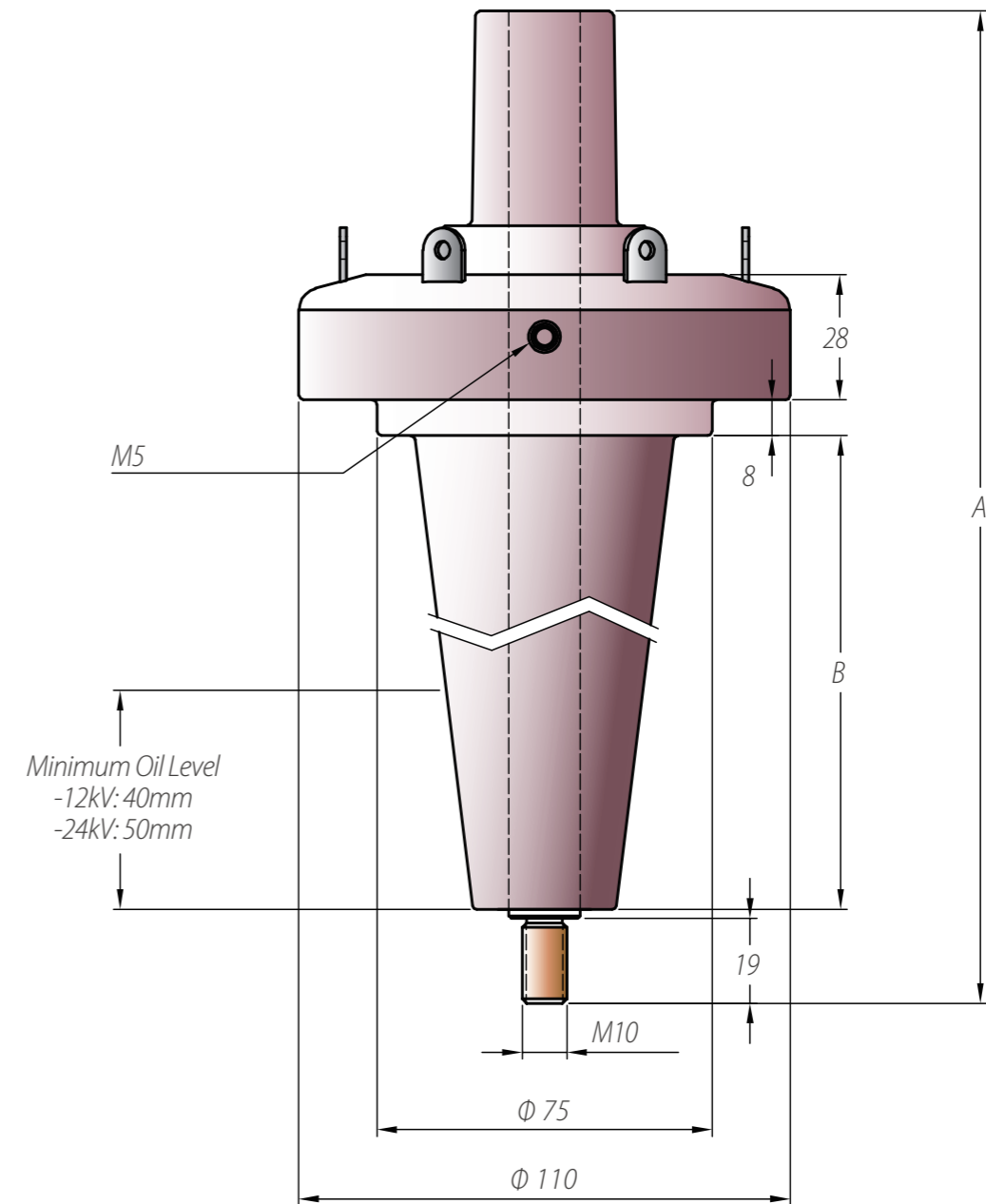
Voltage Class (U _m)	24 kV
AC 5 Minute Withstand	55 kV
BIL and Full Wave Crest	125 kV
Minimum Corona Voltage Level	20.8 kV < 10 pC

CURRENT RATINGS

Continuous Current	250 A
--------------------	-------

• 24-DIB250-010620-REV02

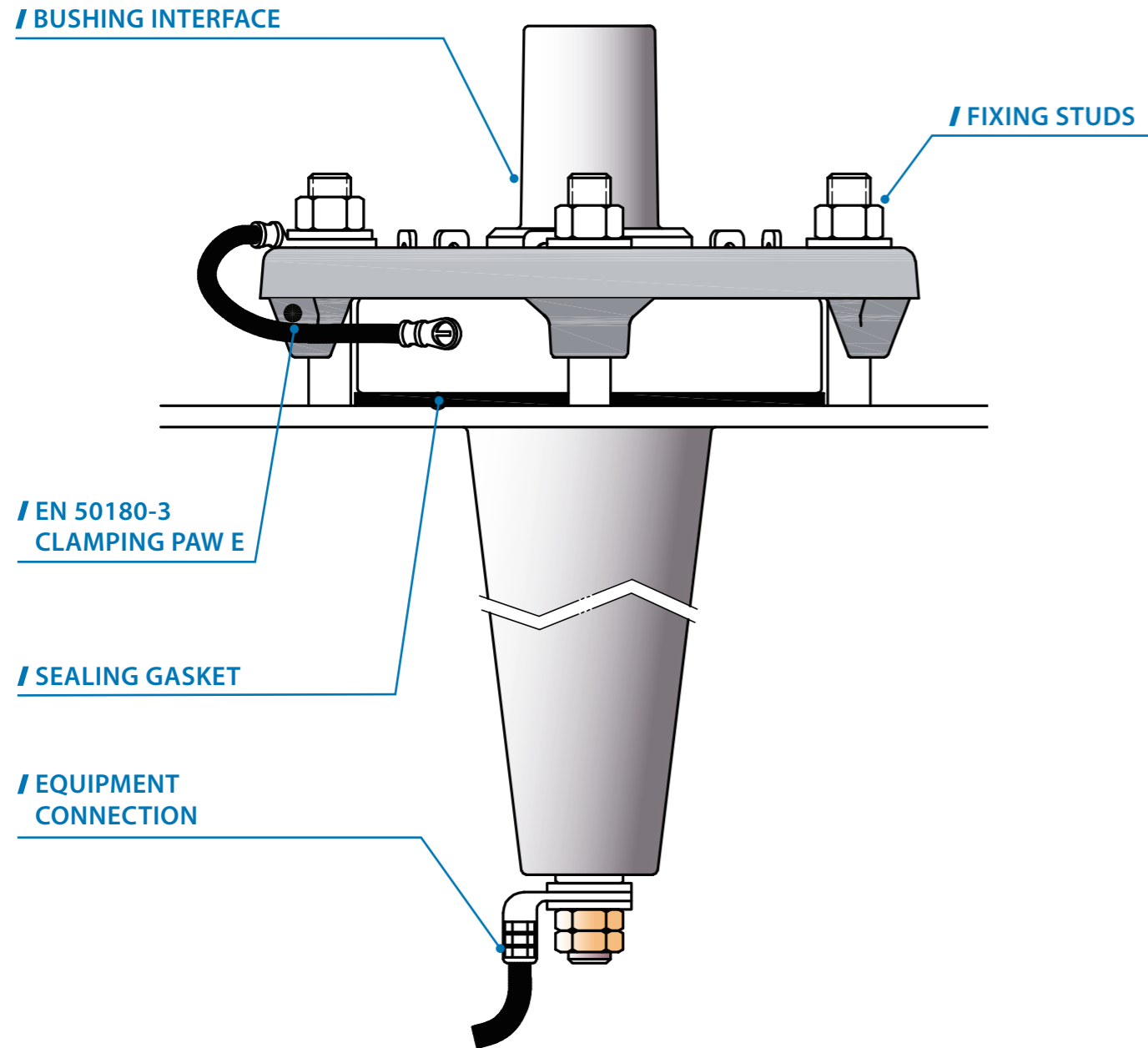
ORDERING INFORMATION



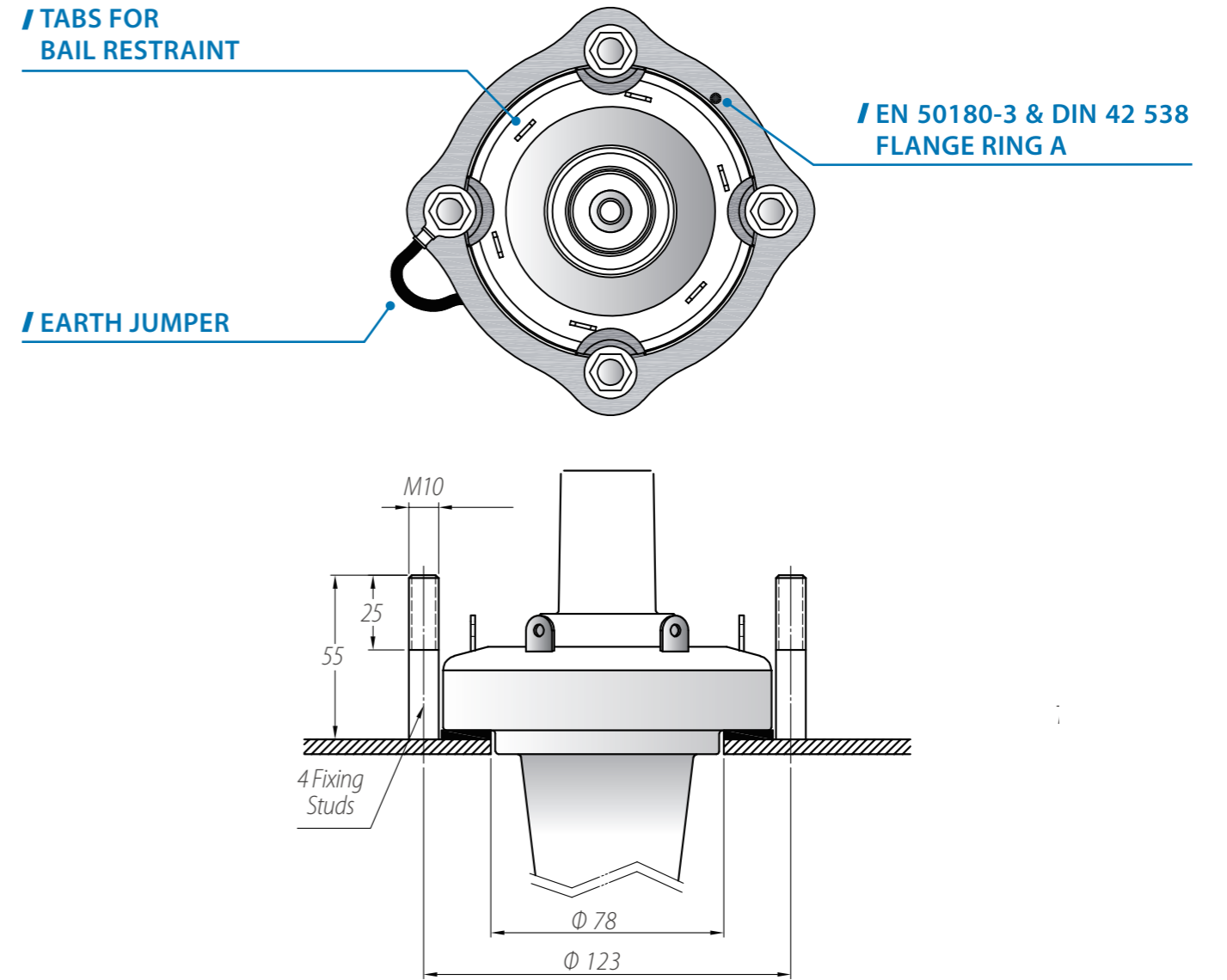
Chardon Part Number	Dimensions	
	A	B
24-DIB250-1	222	106
24-DIB250-2	284	168
24-DIB250-3	171	55

Note:

If the bushing is used in outdoor environment, please add "O" in the end of the part number. For example, 24-DIB250-1-O.



Fixings For Interface A Equipment Bushings EN 50180-3 & DIN 42 538



Note:

To order components with the bushing, please follow the chart below:

Earth Lead	Chardon Part Number + EL
Earth Plate	Chardon Part Number + EP
Flange (Optional)	Chardon Part Number + EL or EP + FL

Ordering Example:

To order a Chardon Interface A Equipment bushing type 1, with earth plate and the flange, order the P/N below: 24-DIB250-1-EP-FL; To order a Chardon Interface A Equipment bushing type 2, with earth lead only, the P/N will be 24-DIB-250-1-EL.



CHARDON TAIWAN CORPORATION

No.37 Min-Chie Road, Tung Lo
Industrial Park, Miao Li, Taiwan 366

Tel : +886-37-984385

Fax : +886-37-984770

www.chardongroup.com • info@chardongroup.com