

# (ANSI) Elbow Arrester installation instructions

## DANGER & IMPORTANT:

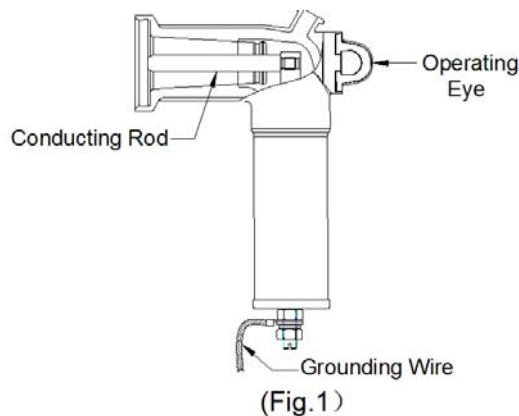
1. All apparatus must be de-energized during installation or removal of part(s). Make sure the products specification be accord with the applied system.
2. Check contents of package to ensure they are complete and undamaged. Check all components to ensure proper fit with cable and/or mating products.
3. All apparatus must be installed and operated in accordance with individual user, local, and national work rules. These instructions do not attempt to provide for every possible contingency.
4. Read entire installation instructions before starting. Have all required tools at hand and maintain cleanliness throughout the procedure.

### Required tools: Live-line tool

### (ANSI) Elbow Arrester Instructions:

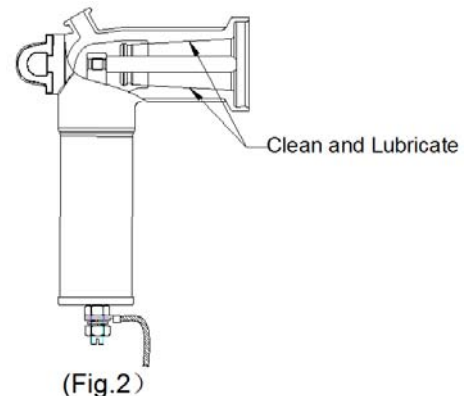
#### Step 1. Grounding (Figure 1):

Connect the ground cable to the system earth with 10 to 15 N.m



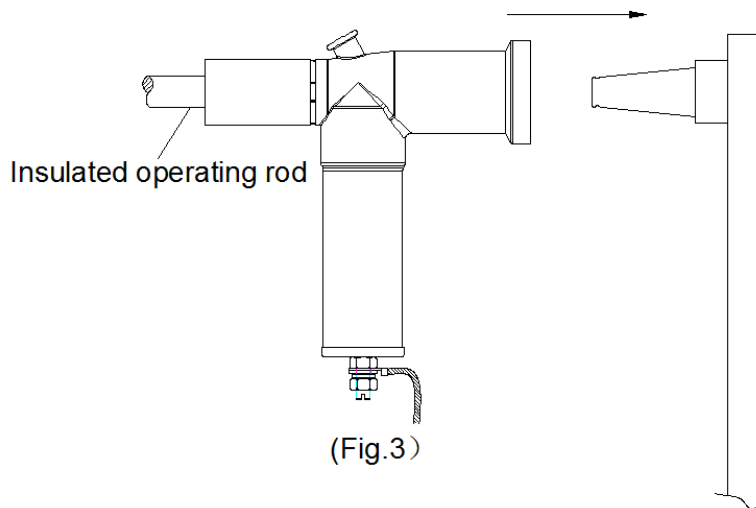
#### Step 2. Lubricate by silicone lubricant (Figure 2):

Clean the inner interface of the elbow arrester; Lubricate by silicone lubricant into the inner interface evenly. Do not lubricate too much silicone lubricant, over lubricated will make elbow arrester cannot being properly placed in the locked position.



### Step 3. Installation (Figure 3):

1. Do not install by hand.
2. Remove the old elbow arrester with the live-line tool observed with operating instructions from manufacturer.
3. Fasten insulating bar to the operating eye of the elbow arrester until firm.
4. Make sure the elbow arrester with grounded end pointing down.
5. Place the elbow arrester over the bushing, inserting the white arc follower of the probe into the bushing approximately 2 1/2" until a slight resistance is felt.
6. Immediately thrust the elbow onto the bushing with a fast, firm, straight motion, with sufficient force to latch the elbow to the bushing. (For the bushing with the indicating ring, the indicating ring should be covered.)
7. Make sure ground cable for proper connections to the system earth. If ground cable did not connect to the system earth, remove the elbow arrester with the live-line tool, connect the ground cable to the system earth, repeat the above operation till the proper installation of the elbow arrester.



Inasmuch as CHARDON GROUP, Inc. has no control over the use which others may put the material, it does not guarantee that the same results as those described herein will be obtained. Each user of the material should make his own tests to determine the material's suitability for his own particular use. Statements concerning possible uses of the materials described herein are not to be construed as constituting a license under any CHARDON GROUP, inc. patent covering such use or as recommendations for use of such materials in the infringement of any patent.

FOR FURTHER INFORMATION WRITE TO



[sales@chardongroup.com](mailto:sales@chardongroup.com)