

15 / 25 kV 200A Feed-Thru

INSTALLATION & OPERATING INSTRUCTIONS

DESCRIPTION

The Feed-Thru is designed to operate with a bushing well meeting the interface requirements of Fig. 3 of the IEEE Standards for Separable Insulated Connector Systems, ANSI / IEEE 386. The elbow interface of the Feed-Thru meets the requirements of ANSI/IEEE 386 as defined below:

- 15kV 200A Class (8.3kV and 8.3/14.4kV)
- 25kV 200A Class (15.2kV and 15.2/26.3kV)

The Feed-Thru can be used as a junction point or a grounding point.

To install follow the step as below:

To use the feed--thru as a junction point, follow steps 4A.

To use the feed--thru as a grounding point, follow steps 4B.



BUSHING INSERT KIT CONTENTS

- ※ –Feed-Thru body complete with mounting hardware and Shipping Caps
- ※ – Silicone Lubricant
- ※ – Paper Towel
- ※ – Installation Instructions



CAUTION All associated apparatus must be de-energized during installation and/or maintenance.



DANGER Do not touch or move energized product by hand. Failure to follow this instruction may result in serious or fatal injury, as well as damage to the product.

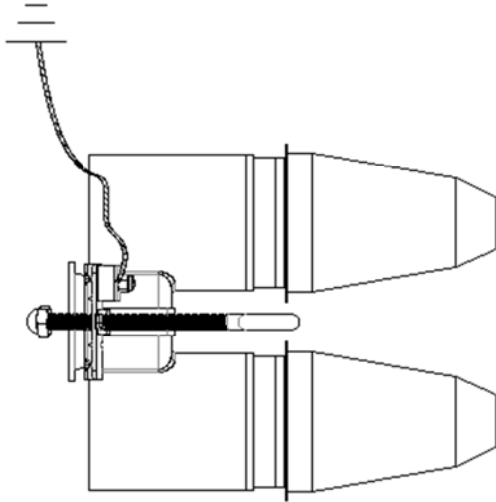
SAFETY INFORMATION

The instructions in this manual are not intended as a substitute for proper training or adequate experience in the safe operation of the equipment described. Only competent technicians, who are familiar with this equipment should install, operate and service it.

INSTALLATION PROCEDURE

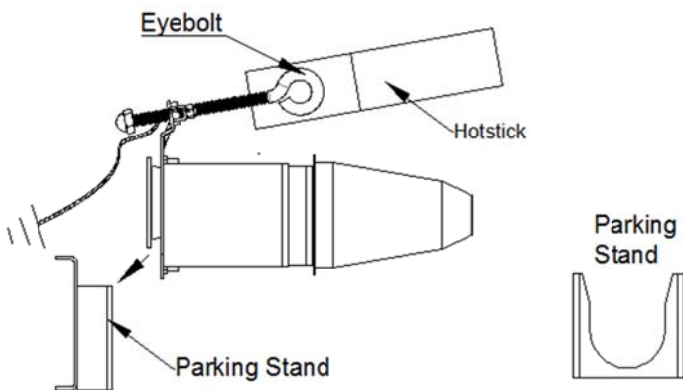
STEP 1

Attach #14 AWG drain wire or equivalent from the grounding lug on the feed-thru to the system ground, and leave enough slack to operate with a hotstick



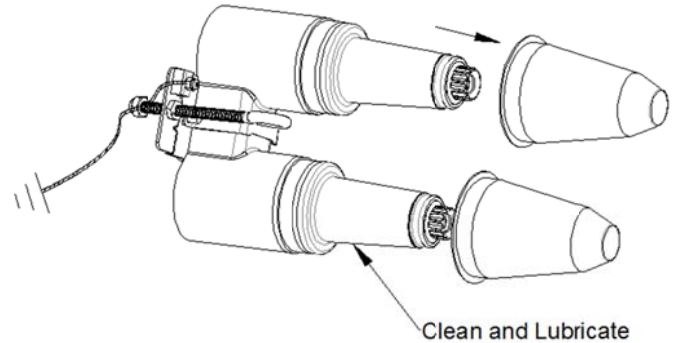
STEP 2

Attach feed-thru hold down eyebolt to hotstick. Position feed-thru in accessory pocket on the apparatus. Turn the hold down eyebolt clockwise until tight.



STEP 3

- Remove black shipping caps.
- Clean and lubricate feed-thru interfaces with lubricant supplied.



STEP 4

- A) To use the feed-thru as a junction point, please follow the instructions provided by the junction.
- B) To use the feed-thru as a grounding point, please follow the instructions provided by the grounding elbow.

WARNING

If Three-Phase loop feed circuits are being connected, both loadbreak elbows forming the loop must be from the same phase.

Failure to comply could result in death or serious injury

Inasmuch as CHARDON GROUP, Inc. has no control over the use which others may put the material, it does not guarantee that the same results as those described herein will be obtained. Each user of the material should make his own tests to determine the material's suitability for his own particular use. Statements concerning possible uses of the materials described herein are not to be construed as constituting a license under any CHARDON GROUP, inc. patent covering such use or as recommendations for use of such materials in the infringement of any patent.

FOR FURTHER INFORMATION WRITE TO

CHARDON
GROUP
sales@chardongroup.com