

## 15 / 25 kV 200A JUNCTION INSTALLATION & OPERATING INSTRUCTIONS

### DESCRIPTION

The Chardon Junction is used to sectionalize cables or as feed-thru for making lateral taps. These instructions apply for either 2-taps, 3-taps, 4-taps Junction units. A 4-taps Junction is used for illustration purposes in these instructions.



The loadbreak interface of the Junction meets the requirement for Separable insulated Connectors, ANSI / IEEE St. 386, latest revision as follows :

- 15kV 200A Class (8.3kV and 8.3/14.4kV)
- 25kV 200A Class (15.2kV and 15.2/26.3kV):

### JUNCTION KIT CONTENT

2 - taps	3 - taps	4 - taps
1 – Junction	1 – Junction	1 – Junction
1 – Instruction Sheet	1 – Instruction Sheet	1 – Instruction Sheet
2 – shipping Cap	3 – shipping Cap	4 – shipping Cap
2 – Lubricant	3 – Lubricant	4 – Lubricant
2 – Paper Towel	3 – Paper Towel	4 – Paper Towel



#### CAUTION

All associated apparatus must be de-energized during installation and/or maintenance.



#### DANGER

Do not touch or move energized product by hand. Failure to follow this instruction may result in serious or fatal injury, as well as damage to the product.

### IMPORTANT

Read these instructions thoroughly before operating the system. Be sure that the connectors are rated for the intended energized use (See Chardon Catalog or Technical Data Sheets for selecting the correct mating connector module.) Visually inspect parts for damage before using them.

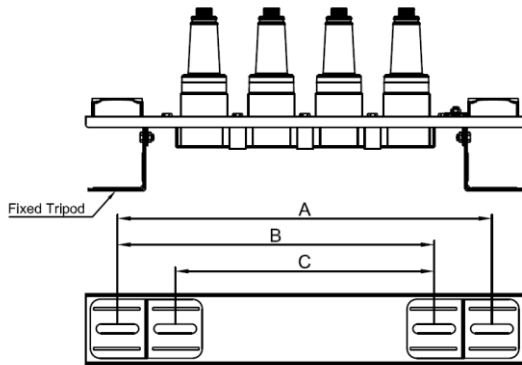
### CAUTION

THE EQUIPMENT COVERED BY THESE INSTRUCTIONS SHOULD BE INSTALLED, OPERATED AND SERVICED ONLY BY COMPETENT PERSONNEL FAMILIAR WITH GOOD SAFETY PRACTICES. THIS INSTRUCTION IS WRITTEN FOR SUCH PERSONNEL AND IS NOT INTENDED AS A SUBSTITUTE FOR ADEQUATE TRAINING AND EXPERIENCE IN SAFE PROCEDURES FOR THIS TYPE OF EQUIPMENT.

# INSTALL PROCEDURE

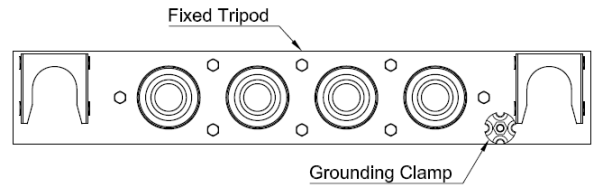
## STEP 1

Place the assembly against the wall and mark the location of the mounting holes on the wall. 1/2" diameter bolts are recommended for mounting



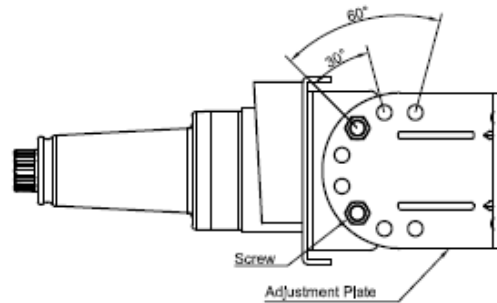
## STEP 2

Mount the assembly on the wall according to the marks made in Step 1 and securely tighten the mounting bolts. Ground the bracket to system ground with the grounding clamp provided.



## STEP 3

Adjust front plate to desired angle. Tighten all bolts securely



		A	B	C
15 kV	2-taps	13.8" (350mm)	10.4" (263mm)	6.9" (176mm)
	3-taps	16.9" (430mm)	13.5" (343mm)	10.1" (256mm)
	4-taps	20.1" (510mm)	16.7" (423mm)	13.2" (336mm)
25 kV	2-taps	14.6" (370mm)	11.1" (283mm)	7.7" (196mm)
	3-taps	18.5" (470mm)	15.1" (383mm)	11.7" (296mm)
	4-taps	22.4" (570mm)	19.0" (483mm)	15.6" (396mm)

**Mounting Dimensions**

## STEP 4

Remove protective shipping caps from junction interfaces. Using supplied silicone grease, apply a thin layer of lubricant to the junction interfaces and mating accessory.

These instructions do not cover all details or variations in equipment nor to provide for every possible contingency to be met in connection with installation, operation or maintenance. Should furthering information be desired or should particular problems arise which are not covered sufficiently for the purchaser's purposes, the matter should be referred to Chardon Electrical Components.



[sales@chardongroup.com](mailto:sales@chardongroup.com)