

---

## 15/25kV 600/900A CLASS STANDOFF BUSHING INSTALLATION & OPERATING INSTRUCTIONS

---

### DESCRIPTION

The CHARDON 600A class deadbreak Standoff Bushing are used on 600A deadbreak T-body connectors. They are fully shielded, fully submersible and interchangeable with all other manufacturers that certify compliance ANSI / IEEE St. 386 15.2kV and 15.2/26.3kV.



### Standoff Bushing KIT CONTENT:

- 1 – Standoff Bushing
- 1 – Silicone Lubricant
- 1 – Paper Towel
- 1 – Installation Instructions



**CAUTION:** All associated apparatus must be de-energized during installation and/or maintenance.



**DANGER:** Do not touch or move energized product by hand. Failure to follow this instruction may result in serious or fatal injury, as well as damage to the product.

---

### SAFETY INFORMATION

The instructions in this manual are not intended as a substitute for proper training or adequate experience in the safe operation of the equipment described. Only competent technicians, who are familiar with this equipment should install, operate and service it.

---

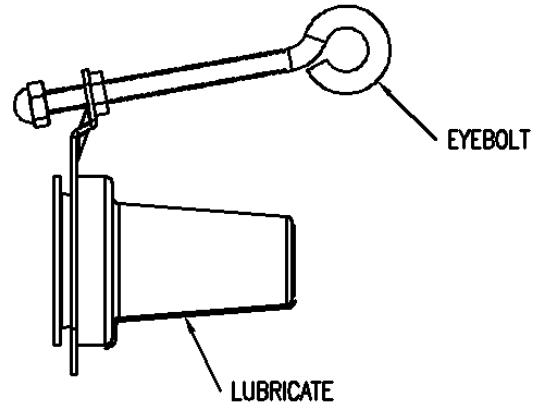
## INSTALL PROCEDURE

### STEP 1

Ensure the standoff bushing has the same voltage rating with equipment system. Ensure all cables and equipment are properly de-energized.

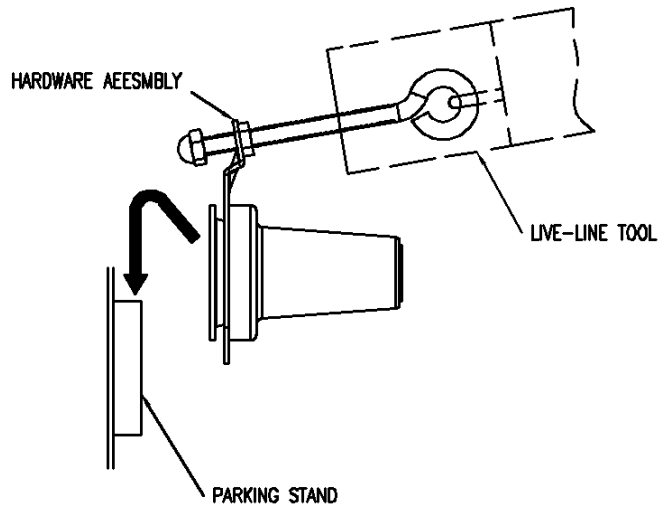
## STEP 2

Clean interfaces of T-body connector and standoff bushing and lubricate the interfaces by using supplied Silicone Lubricant.



## STEP 3

Attach live-line tool to eyebolt of standoff bushing hardware assembly. Slide hardware assembly into parking stand and rotate eyebolt clockwise, until hardware assembly is snug against the apparatus surface. Remove live-line tool from eyebolt.



## STEP 4

Continue according to overall operating procedure manual.

Inasmuch as CHARDON GROUP, Inc. has no control over the use which others may put the material, it does not guarantee that the same results as those described herein will be obtained, Each user of the material should make his own tests to determine the material's suitability for his own particular use. Statements concerning possible uses of the materials described herein are not to be construed as constituting a license under any CHARDON GROUP, inc. patent covering such use or as recommendations for use of such materials in the infringement of any patent.

FOR FURTHER INFORMATION WRITE TO



[sales@chardongroup.com](mailto:sales@chardongroup.com)