
15/25 kV 600A Multi-Point Junctions INSTALLATION & OPERATING INSTRUCTIONS

DESCRIPTION

Chardon 600A Multi-Point Junctions are primarily used in underground vaults and sectionalizing cabinets. They are available in 3 to 6 positions of any combination of 200A well or 600A bushing interfaces. It provides a convenient means to splice and sectionalize feeders or to create either 200A or 600A lateral taps.

The Multi-Point Junctions meet the requirements of IEEE Std. 386.

- 15kV 200A/600A Class (8.3kV and 8.3/14.4kV)
- 25kV 200A/600A Class (15.2kV and 15.2/26.3kV)
- 35kV 200A/600A Class (21.1kV)

MP JUNCTION KIT CONTENT

1 - Multi-Point Junction

1 - Instruction Sheet

Lubricant (one per interface)

Paper Towel (one per interface)



Standard Bracket:

1 - Mounting Brackets

1 - Adjustable Bottom Plate

Adjustable Bracket:

1 - Mounting Brackets

1 - Adjustable Bottom Plate

2 - Adjustable Mounting Feet with nuts & bolts



CAUTION

Check contents of box to ensure that it is complete and the components are NOT damaged.



CAUTION

All associated apparatus must be de-energized during installation and/or maintenance.



DANGER

Do not touch or move energized product by hand. Failure to follow this instruction may result in serious or fatal injury, as well as damage to the product.

IMPORTANT

Read these instructions thoroughly before operating the system. Be sure that the connectors are rated for the intended energized use (See Chardon Catalog or Technical Data Sheets for selecting the correct mating connector module). Visually inspect parts for damage before using them.

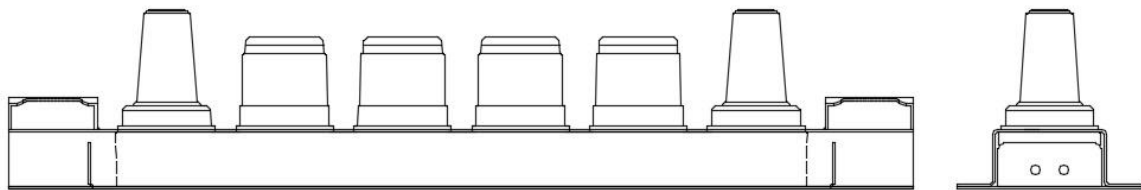
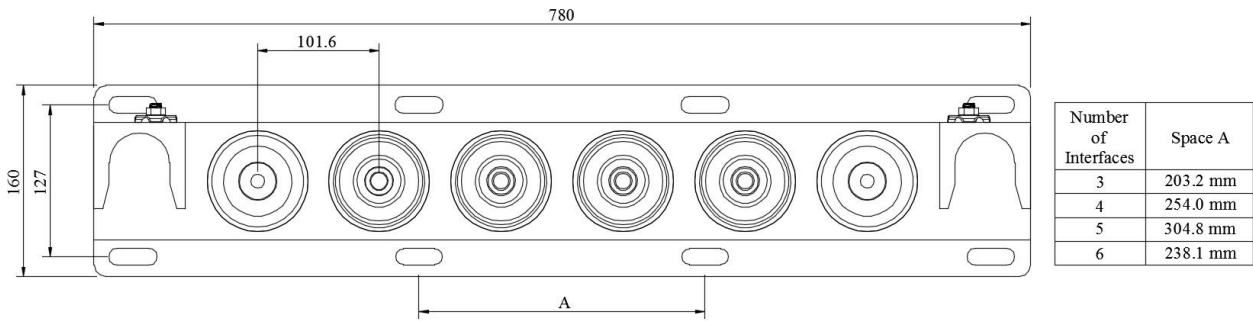
CAUTION

THE EQUIPMENT COVERED BY THESE INSTRUCTIONS SHOULD BE INSTALLED, OPERATED AND SERVICED ONLY BY COMPETENT PERSONNEL FAMILIAR WITH GOOD SAFETY PRACTICES. THIS INSTRUCTION IS WRITTEN FOR SUCH PERSONNEL AND IS NOT INTENDED AS A SUBSTITUTE FOR ADEQUATE TRAINING AND EXPERIENCE IN SAFE PROCEDURES FOR THIS TYPE OF EQUIPMENT.

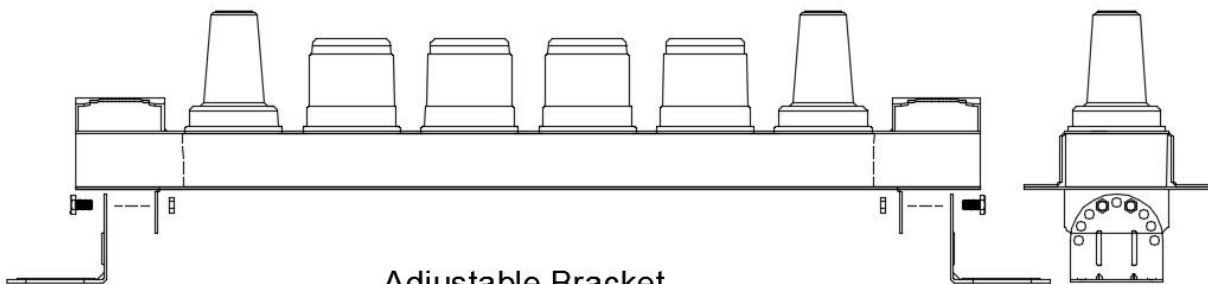
INSTALLATION PROCEDURE

STEP 1

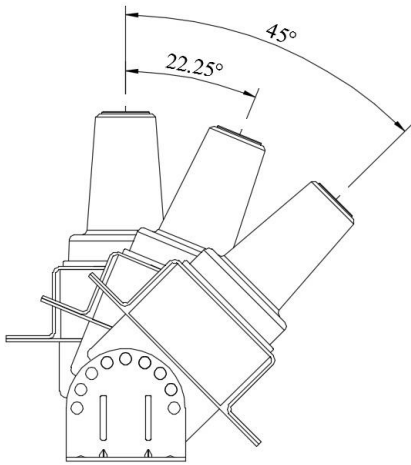
Determine operating angle and loosely attach the Adjustable Mounting Feet to the Adjustable Bottom Plate with components supplied.



Standard Bracket

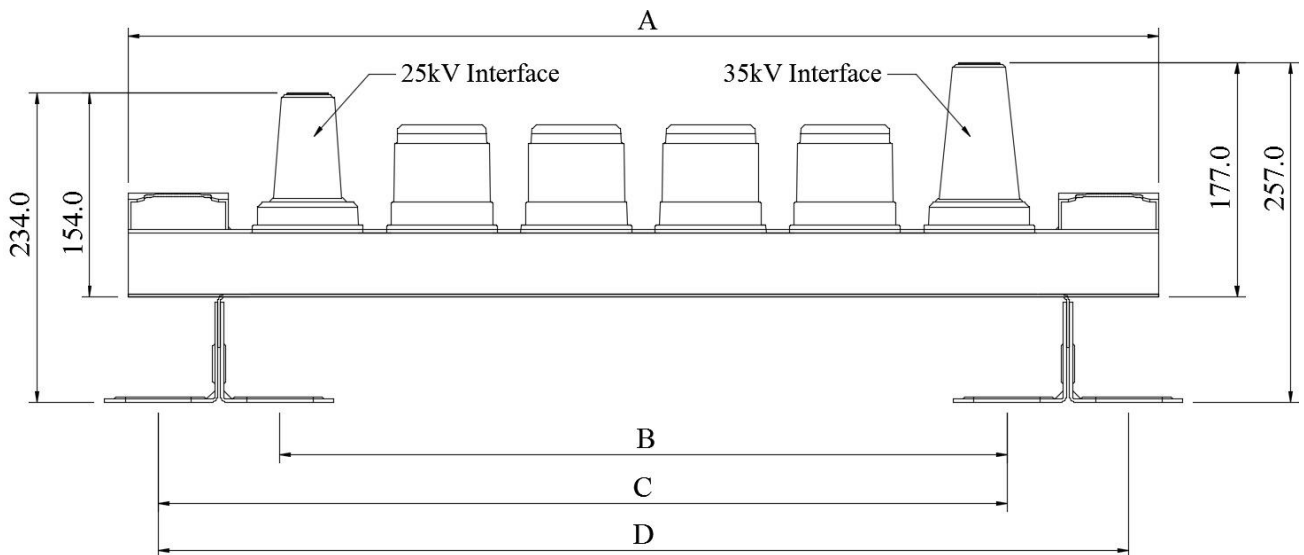


Adjustable Bracket



Adjustable Bracket

STEP 2 (Adjustable Bracket Only)



No. Positions	Dim (A)	Dim (B)	Dim (C)	Dim (D)
3	18.7" (475.2mm)	9.65" (245.2mm)	13.27" (337.2mm)	16.89" (429.2mm)
4	22.7" (576.8mm)	13.65" (346.8mm)	17.27" (438.8mm)	20.89" (530.8mm)
5	26.7" (678.4mm)	17.65" (448.4mm)	21.27" (540.4mm)	24.89" (632.4mm)
6	30.7" (780.0mm)	21.65" (550.0mm)	25.27" (642.0mm)	28.89" (734.0mm)

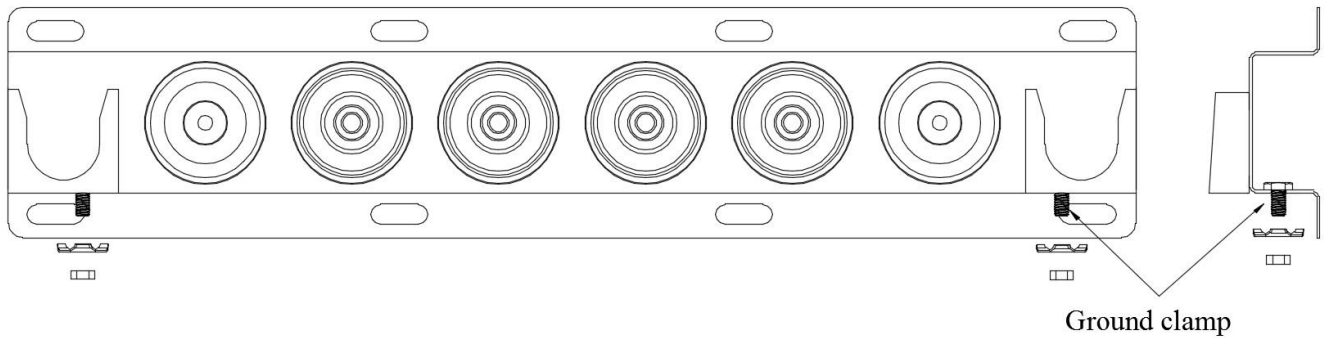
Mounting Dimensions

STEP 3

Attach the Adjustable Mounting Feet with suitable hardware and tighten securely. When the Multi-Point Junctions is in its final location, all hardware should be tightened securely to prevent the junction from moving during operation.

Step 4

Ground the bracket to system ground with the grounding clamp provided.



Operating Instructions

Remove all protective shipping caps and wipe the operating interfaces clean. Lubricate each interface with the supplied lubricant or an approved equivalent. Do NOT SUBSTITUTE. Other lubricants may be harmful to this product or a mating connector.

If a position is not to be used, cap it off with an approved insulating cap. Do not use the protective shipping caps for this purpose as they are only intended to keep the interfaces clean during shipping and handling.

These instructions do not cover all details or variations in equipment nor to provide for every possible contingency to be met in connection with installation, operation or maintenance. Should furthering information be desired or should particular problems arise which are not covered sufficiently for the purchaser's purposes, the matter should be referred to Chardon Electrical Components.



sales@chardongroup.com