

COLD SHRINKABLE JACKET SEAL INSTALLATION

DESCRIPTION

The CHARDON Cold Shrinkable Jacket Seal are designed for use CHARDON distribution products for connecting and terminating drain wire shielded cable. The core is removed after the tube has been positioned for installation over an inline connection, terminal lug, etc., allowing the tube to shrink and form a water-resistant seal. The insulating tube is made of Silicone rubber which contains no chlorides or sulfurs.

Ordering Instructions:

CJS-B -- Cable O.D. Range 0.71" —1.50" (18.0--38.1mm)

CJS-C -- Cable O.D. Range 1.46" —2.44" (37.0—62.0mm)

CJS-D -- Cable O.D. Range 2.37"—3.20" (60.0—81.3mm)

Cold Shrinkable Jacket Seal Kit Content:

- - Cold Shrinkable Jacket Seal (Contains hold out tubes)
- - Sealing Tape & PVC Tape
- - Installation & Operating instructions



CAUTION: All associated apparatus must be de-energized during installation and/or maintenance.

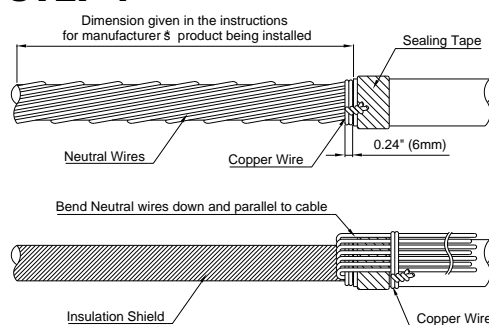
DANGER: Do not touch or move energized product by hand. Failure to follow this instruction may result in serious or fatal injury, as well as damage to the product.

SAFETY INFORMATION

The instructions in this manual are not intended as a substitute for proper training or adequate experience in the safe operation of the equipment described. Only competent technicians, who are familiar with this equipment should install, operate and service it.

INSTALL PROCEDURE

STEP 1

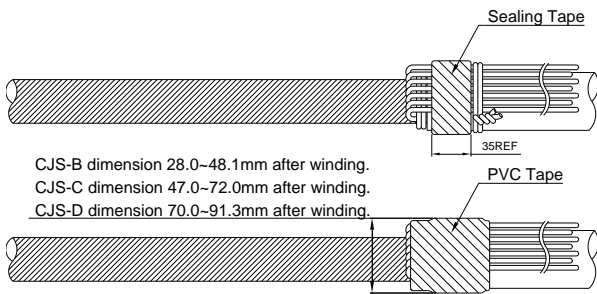


- Remove cable jacket (if jacketed cable is used) to expose neutral wires. Provide Part No:401104P000

sufficient length of neutral wires for grounding after installation.

- Use tinned copper wire to lash the neutral wires. Use sandpaper to grind the cable jacket to rough the surface, starting from the 0.24" area, clean the grinded surface then bind the sealing tape on (wound 1 lap) .
- Unwind neutral wires.
- Bend Neutral wires down and parallel to cable.

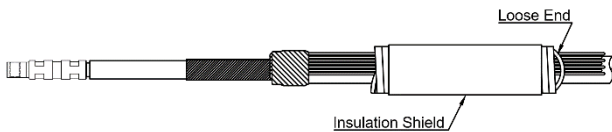
STEP 2



- Wrap the sealing tape onto the neutral wires (Wrap 4 laps), and wrap the PVC tapes on top of it (Wrap 2 laps). Elongate the sealing tape by 200% and make sure 50% overlap when wrapping it.

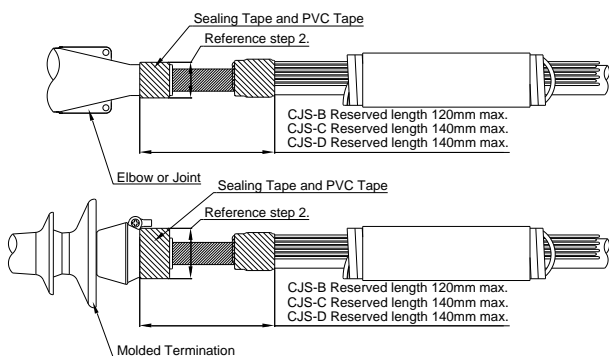
- ※ CJS-B dimension 28.0~48.1mm after Winding.
- CJS-C dimension 47.0~72.0mm after Winding.
- CJS-D dimension 70.0~91.3mm after Winding.

STEP 3



- Slide in the Cold Shrinkable Jacket Seal with loose end away from the connector.

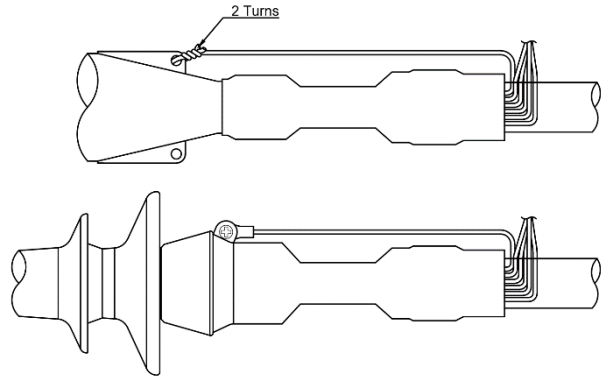
STEP 4



- Install the elbow, joint or molded termination per manufacturer's instructions.
- ※ Please refer to the above figure for installation distance confirmation.
- Wrap the sealing tape onto strip around product end for elbows or joints, and wrap the PVC tapes on top of it.

Part No:401104P000

STEP 5



- Pull loose end from back to unwind cord in clockwise direction until plastic core is flush with end of cold shrinkable tube. Slide cold shrinkable tube into position and continue to unwind cord in clockwise direction. Cold shrinkable tube will collapse at product end first.
- ※ Tube must overlap elbow or joint end at least 1 inch (25mm) for a proper seal.
- Using one or more neutral wires, connect the concentric neutral to the elbow grounding tab near the cable entrance. A tight connection will provide positive grounding for the elbow shield.

Inasmuch as CHARDON GROUP, Inc. has no control over the use which others may put the material, it does not guarantee that the same results as those described herein will be obtained. Each user of the material should make his own tests to determine the material's suitability for his own particular use. Statements concerning possible uses of the materials described herein are not to be construed as constituting a license under any CHARDON GROUP, inc. patent covering such use or as recommendations for use of such materials in the infringement of any patent.

FOR FURTHER INFORMATION WRITE TO



sales@chardongroup.com